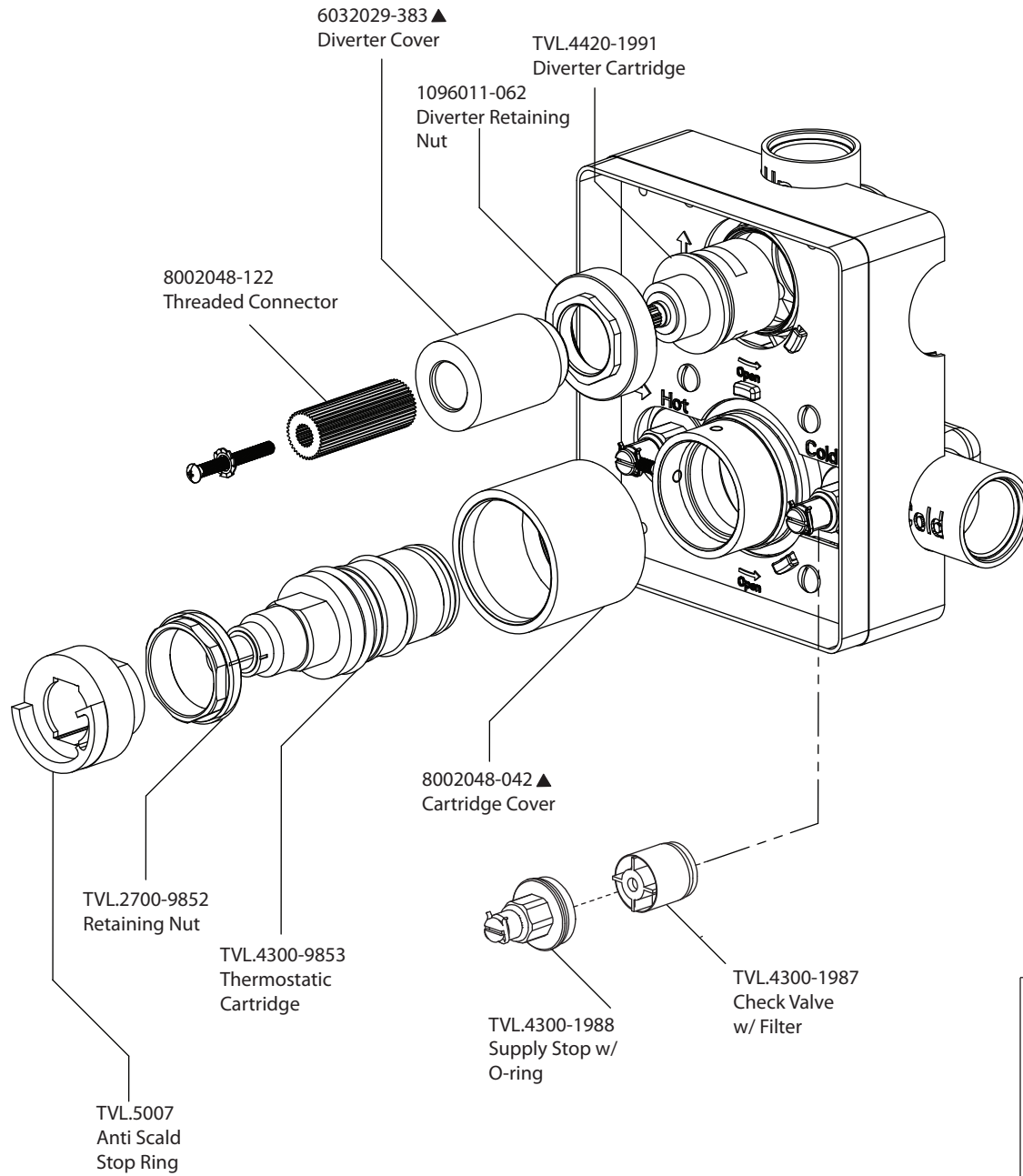


Product Parts Breakdown

▲ Specify Finish



isenberg
innovation+design

TVL.2700

Ver 2.53